

BPC-3022

Fanless Embedded Box PC with Intel® Celeron® N2930 Processor and Multiple Video Outputs



Features

- Intel® Celeron® Processor N2930 Quad-Core up to 1.83 GHz
- Compact Size and Light Weight
- 1 GbE, HD Audio, 5 USB, 1 COM, DVI-I, HDMI, 2 Mini PCIe (for WLAN & 3G module)
- 1 SATA SSD (2.5"), 1 mSATA

Applications

- Barcode Scanning
- Embedded Control Systems
- Medical
- Digital Signage
- CIM (Computer Integrated Manufacturing)

→ Packing List

Description
1 x BPC-3022
2 x Mounting Bracket
1 x DVI to VGA Dongle
1 x Power Adapter

→ Optional Items

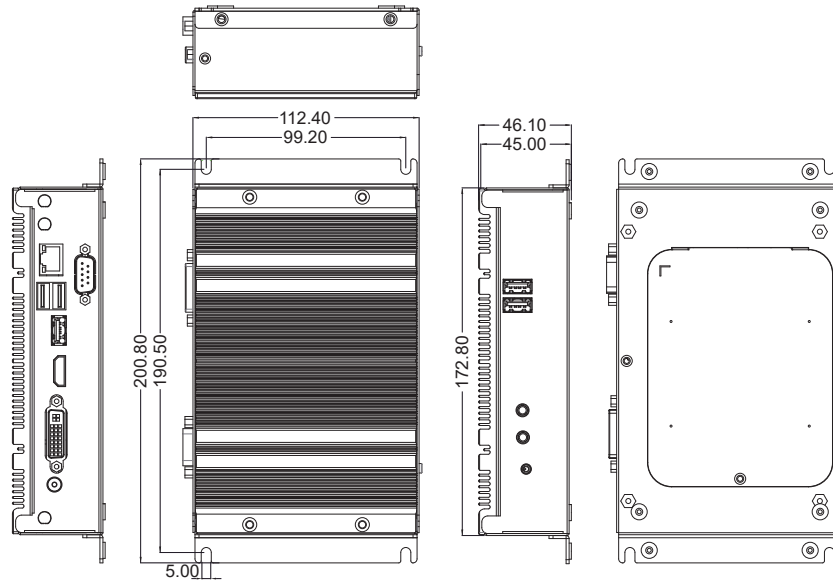
Part No.	Description
AWD-4G003	4G(LTE) EG25-G+ 2 antenna, Full size (for global)
AWD-WF001	Wi-Fi 802.11 bgn (1T1R) + 1 Antenna (Single band), Half-size
AWD-WF003	Wi-Fi 802.11 abgn/ac/BT4.0 (2T2R) Module + 2 Antennas (Dual band), Half-size

→ Ordering Information

Part No.	Description
BPC-3022-A1	Intel® Celeron™ N2930 Quad core CPU, 1 DDR3L memory, 1 USB3.0, 4 USB2.0, 1 RS-232, 1 GbE, line out, Mic in, DVI-I x 1, HDMI x 1, DC 12V, DC Jack

BPC-3022

→ Dimensions



→ Specifications

Model		BPC-3022-A1
Processor System	CPU	Intel® Celeron® Processor N2930
	Frequency	Quad-core up to 1.83 GHz
	L2 Cache	2 MB
	System Chipset	N/A
	BIOS	UEFI
Memory	Technology	DDR3L 1333 MHz SDRAM (1.35 V only)
	Max. Capacity	8 GB
	Socket	1, 204-pin SO-DIMM
Display	Graphics Engine	Intel® HD Graphics
	DVI-I	Up to 1920 x 1080
	HDMI	Supports 1920 x 1080, Max data rate: up to 1.65 Gb/s, HDMI v1.3 up to 1080p
	Dual Display	HDMI, DVI-I (VGA output via DVI to VGA dongle)
I/O Interface	USB	1 USB 3.0, 4 USB 2.0
	Serial Port	1 COM (RS-232)
Ethernet	Controller	1 GbE LAN, Realtek RTL8111G, 10/100/1000 Mbps
Audio	Chipset	Realtek ALC662, High Definition Audio (HD)
	Connectors	Line out, Mic in
Expansion	Mini PCIe (Optional)	1 half-size slot / Wi-Fi module (Optional), 1 full-size slot (USB and mSATA signal) / 4G/LTE module (Optional)
Storage	SATA II	2.5" SSD (Max data transfer rate 300 MB/s)
	mSATA	1 mSATA shared with full-size Mini PCIe
Power	Power Type	AT / ATX
	Power Supply Voltage	Single 12 V DC input
	Power Consumption (Typical)	0.72 A @ 12 V (8.64 W)
	Power Consumption (Max)	1.38 A @ 12 V (15.8 W)
	DC Connector Type	DC Jack
Mounting	Type	Wall mount
Environment	Operational	-20~60° C (-4~140° F) w/ 2.5" SSD (Humidity: 60° C @ 80% RH Non-condensing)
	Non-Operational	-40~80° C
	Vibration	IEC 60068-2-64: 5Grms, random, 5~500 Hz, 1hr/axis
	Shock	IEC 60068-2-27: 50G, half-sine, 11ms duration
General	Certification	CE, FCC Class A, CCC
	Thermal Dissipation	Fanless System
	Ingress Protection	IP40 Protection
	Dimensions (W x H x D)	172.8 x 46.1 x 112.4 mm (6.80" x 1.81" x 4.43")
	Weight	0.91 kg (2.0 lb)
	Operating System	Windows 7/8.1/10, WES7-E/P, WE8S, Ubuntu 14.04