

BPC-5012

Intel® Core™ i5-1235U In-Vehicle Fanless Computer with M12 connectors



Applications

- Mining Truck / Off-road Haul Truck
- Agricultural and Forestry Vehicle
- Transportation Management
- Railway and Metro System
- Anti-vibration Application

Features

- Intel® Core™ i5-1235U Processor
- 2 x 260-pin SO-DIMM DDR4 3200 MHz, up to 64GB
- 2 x 2.5GbE LAN (Intel® I226-V) by M12 Connector
- Supports 2 x USB3.2 by M12 Connector
- Supports Lockable HDMI
- Supports 4 x COM Ports
- Optional 16 isolated DI and 16 isolated DO channels

Ordering Information

Part No.	Description
BPC-5012	Intel® Core™ i5-1235U Processor, 1 x Lockable HDMI, 4 x RS-232/422/485, M12 connector for 2 x 2.5GbE & 2 x USB3.2, DC 9~36V Phoenix Connector

Packing List

Description
1 x BPC-5012

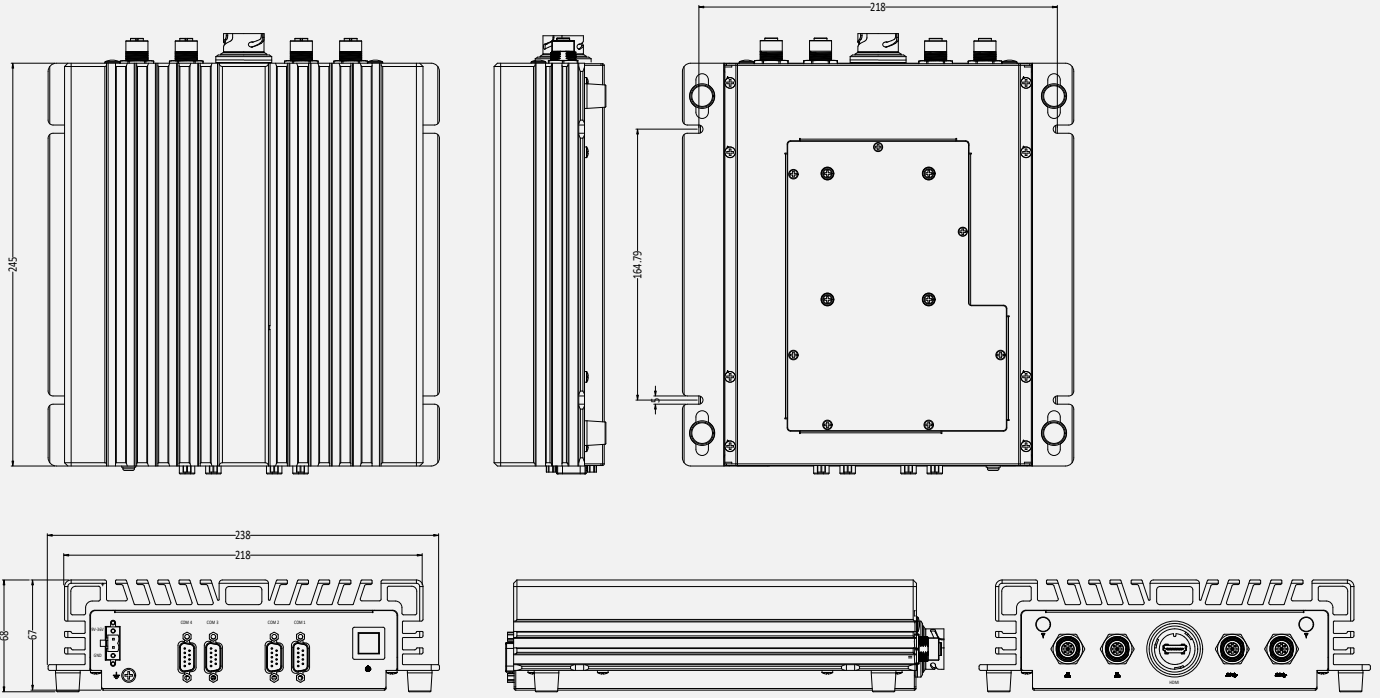
Optional Items

Part No.	Description
APW-60M12V-01	Adapter AC/DC 12V 5A 60W with M12 Connector (US)
APW-60M12V-02	Adapter AC/DC 12V 5A 60W with M12 Connector (EU)
AKT-USB31M12	M12 Connector to USB3.0 Cable, 1.8m
AKT-LAN2M12	M12 Connector to LAN Cable, 2m
AWD-4G003	4G(LTE) EG25-G + 2 Antennas, Full Size (for Global)
AWD-WF003	Wi-Fi 802.11 a/b/g/n/ac/BT4.0 (2T2R) + 2 Antennas (Dual Band), Half Size

Specifications

Model	BPC-5012	
Processor System	CPU	Intel® Core™ i5-1235U Processor
	Frequency	up to 4.40GHz
	BIOS	UEFI
	TPM	Onboard TPM2.0 (Optional)
Memory	Technology	Dual Channel DDR4 3200MHz (un-buffered and non-ECC)
	Max. Capacity	Support up to 64GB
	Type	2 x 260-pin SO-DIMM
Display	Graphics Engine	Intel® UHD Graphics
	Multiple Display	1
	HDMI	1 x Lockable HDMI 2.0, Max resolution up to 4096 x 2160
I/O Interface	USB	2 x USB3.2 (Gen2) (M12 Connector)
	Serial Port	1 x RS-232/422/485 (supports 5V/12V/RI) 3 x RS-232/422/485
	Ethernet	2 x 2.5GbE (Intel® I226-V) (M12 Connector)
Storage	M.2	1 x M.2 M-Key 2280 (PCIe Gen4x4 and SATA 6Gb/s)
	2.5" HDD / SSD	1 x SATA III (6.0Gb/s)
Expansion	M.2	1 x M.2 E-Key 2230 with PCIe Gen3 x1, USB 2.0 and CNVi for Wireless
	Mini-PCIe	1 x Full-Size Mini-PCIe (PCIe, USB 2.0 and SIM)
	SIM Holder	1 x SIM socket connected to Mini-PCIe
Power	Power On Mode	AT/ATX Supported - AT: Directly PWR on as power input ready - ATX: Press button to PWR on after power input ready
	Power Supply Voltage	9-36V DC Input
	Power Connector Type	1 x DC Power Connector, 1 x 2-pin Terminal Block
Mounting	Type	Wall Mount
Environment	Operating Temperature	-20 ~ 60°C
	Storage Temperature	-30 ~ 70°C
	Humidity	0% ~ 90% (non-condensing)
General	Vibration	IEC 60068-2-64: 5Grms, random, 5~500 Hz, 1hr/axis
	Shock	IEC 60068-2-27: 50G, half-sine, 11ms duration
	Certification	CE/FCC Class A
	Thermal Dissipation	Fanless System
	Material	Aluminum & SECC
	Dimensions (W x D x H)	238 x 245 x 68mm
	Net Weight	3.5kg
Operating System	Windows 10 IoT, Windwos 11 (IoT/Professional), Linux	

BPC-5012 Dimension



Viewing

