

BPC-5097

Intel® Alder Lake-N N97 In-Vehicle Fanless Computer with M12 & Lockable Connector



Applications

- Mining Truck / Off-road Haul Truck
- Agricultural and Forestry Vehicle
- Transportation Management
- Railway and Metro System
- Anti-vibration Application

Features

- Intel® Alder Lake-N Processor N97
- Supports 1 x DDR5 4800MHz, up to 32GB
- 2 x GbE LAN (Intel® I210-AT) by M12 Connector
- Supports 3 x USB2.0 by M12 Connector
- Supports 1 x Lockable HDMI
- Supports 4 x COM Ports
- Supports 16 isolated DI and 16 isolated DO channels
- Multiple Expansion Slots for Wireless Connectivity & 4G/5G

Ordering Information

Part No.	Description
BPC-5097-1A1	Intel® Alder Lake N97 Processor, 1 x Lockable HDMI, 1 x RS-232/422/485, 3 x RS-232, M12 connector for 2 x GbE & 3 x USB2.0, 32-bit Isolated DIO, DC 9~36V Phoenix Connector

Packing List

Description
1 x BPC-5097-1A1

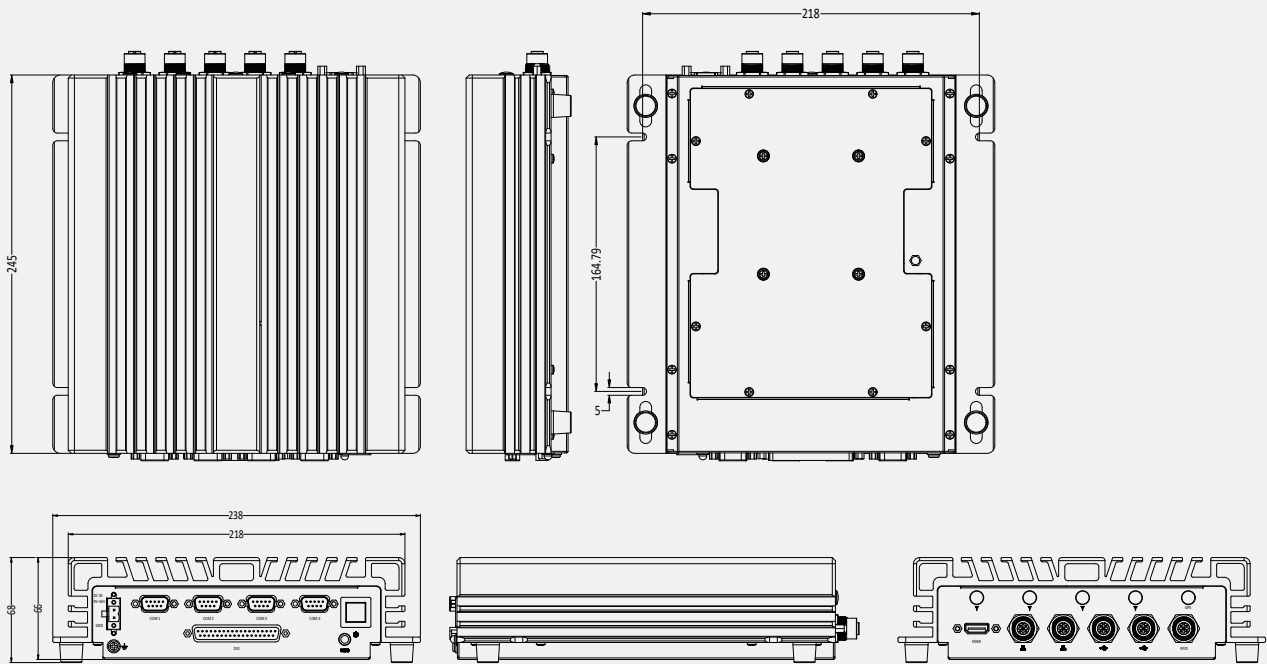
Optional Items

Part No.	Description
EA-PS-60W12VTB2xx-0111	Adapter AC/DC 12V 5A 60W with 2-pin Terminal Block Plug 5.0mm Pitch
EA-PS-60W12VTB2xx-0211	Adapter AC/DC 12V 5A 60W with 2-pin Terminal Block Plug 5.0mm Pitch
27-x301010005-CA	Power Cord, 3-pin EU Type, 180 cm
27-x301000003-CA	Power Cord, 3-pin US Type, 180 cm
AKT-LAN2M12	M12 Connector to LAN Cable, 200 cm
AWD-WF009	Wi-Fi 802.11 a/b/g/n/ac/BT5.0 (2T2R) +2 Antennas (Dual Band), M.2 2230 Type
AWD-4G005	4G (LTE Cat. 4) EM05-G (for Global) + 2 Antennas (Dual Band), M.2 3042 Type

Specifications

Model	BPC-5097-1A1	
Processor System	CPU	Intel® Alder Lake-N N97 Processor
	Frequency	up to 3.60GHz
	BIOS	AMI SPI 256 Mbit
	TPM	Intel® PTT (supports to TPM2.0)
Memory	Technology	Single Channel DDR5 4800MHz
	Max. Capacity	Supports up to 32GB
	Type	1 x 262-pin SO-DIMM
Display	Graphics Engine	Intel® UHD Graphics
	Multiple Display	1
	HDMI	1 x Lockable HDMI 2.0b, Max resolution up to 4096 x 2160@60Hz
I/O Interface	Ethernet	2 x GbE LAN (Intel® I210-AT) (M12 Connector)
	USB	3 x USB2.0
	Serial Port	1 x RS-232/422/485 (supports 5V/12V/RI) 3 x RS-232 (supports 5V/12V/RI)
	GPIO	16 x isolated DI and 16 x isolated DO channels
Storage	M.2	1 x M.2 M-key 2242/2280 with PCIe Gen3 x1 and SATA3 for SSD
	2.5" SSD	1 x 2.5" SATA SSD
Expansion	M.2	1 x M.2 E-Key 2230 with PCIe Gen3 x1, USB 2.0 and CNVi for Wireless 1 x M.2 B-Key 3042/3052 with PCIe Gen3 x1, USB 2.0 and SIM for 4G/5G
	SIM Socket	1 x SIM socket connected to M.2 key B
Power	Power On Mode	AT/ATX Supported - AT: Directly PWR on as power input ready - ATX: Press button to PWR on after power input ready
	Power Supply Voltage	9-36V DC Input
	Power Connector Type	1 x DC Power Connector, 1 x 2-pin Terminal Block
Mounting	Type	Wall Mount
Environment	Operating Temperature	-20 ~ 60°C
	Storage Temperature	-40 ~ 80°C
	Humidity	0% ~ 90% (non-condensing)
General	Vibration	IEC 60068-2-64: 5Grms, random, 5~500 Hz, 1hr/axis
	Shock	IEC 60068-2-27: 50G, half-sine, 11ms duration
	Certification	CE/FCC Class A
	Thermal Dissipation	Fanless System
	Material	Aluminum & SECC
	Dimensions (W x D x H)	238 x 245 x 68mm
	Net Weight	3.5kg
	Operating System	Windows 10 IoT, Windwos 11 (IoT/Professional), Linux

Dimension



Viewing

