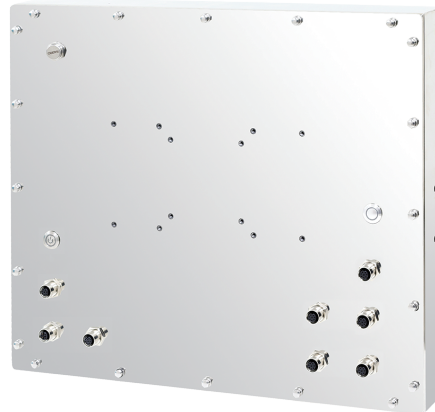


# PPC-Z197

19" IP66/69K Stainless Steel 316 Projected Capacitive / 5-wire Resistive Panel PC with Kabylake-U Intel® Core™ i5-7200U / i3-7100U Processor



## Key Features

- Stainless Steel 316, Full IP66/69K Protection
- Completely Flat Front Panel Design
- AGRO SS316 Pressure Balance Element, Preventing Water Condensation
- Supports VESA, Yoke, and Wall Mount

## Applications

- Food & Beverage Processing
- Hospitality & Catering Service
- Pharmaceutical Equipment
- Animal Feed Production Facility
- Chemical Critical Environment
- Medical Environment

## → Ordering Information

Part No.	Description
PPC-Z197P-B61A2	19" 4:3 (1280 x 1024), 350 nits, Stainless Steel 316 Full IP66/69K Protection, Fanless Panel PC with Intel® Core i5-7200U CPU, Projected Capacitive Touch, 4G RAM, 128G M.2 TLC, 2x USB3.0, 1x M12 for 2x USB2.0, 1x RS232, 1x RS-232/422/485, 2x GbE, DC 9~36 V (M12 Connector)
PPC-Z197P-B62A2	19" 4:3 (1280 x 1024), 350 nits, Stainless Steel 316 Full IP66/69K Protection, Fanless Panel PC with Intel® Core i3-7100U CPU, Projected Capacitive Touch, 4G RAM, 128G M.2 TLC, 2x USB3.0, 1x M12 for 2x USB2.0, 1x RS232, 1x RS-232/422/485, 2x GbE, DC 9~36 V (M12 Connector)
PPC-Z197R-B61A2	19" 4:3 (1280 x 1024), 350 nits, Stainless Steel 316 Full IP66/69K Protection, Fanless Panel PC with Intel® Core i5-7200U CPU, 5-wire Resistive Touch, 4G RAM, 128G M.2 TLC, 2x USB3.0, 1x M12 for 2x USB2.0, 1x RS232, 1x RS-232/422/485, 2x GbE, DC 9~36 V (M12 Connector)
PPC-Z197R-B62A2	19" 4:3 (1280 x 1024), 350 nits, Stainless Steel 316 Full IP66/69K Protection, Fanless Panel PC with Intel® Core i3-7100U CPU, 5-wire Resistive Touch, 4G RAM, 128G M.2 TLC, 2x USB3.0, 1x M12 for 2x USB2.0, 1x RS232, 1x RS-232/422/485, 2x GbE, DC 9~36 V (M12 Connector)

## → Packing List

Description
1 x PPC-Z197

## → Optional Items

Part No.	Description
APW-60M12V-01	12V, 60W, 5A, 5-pin M12 Connector (US)
APW-60M12V-02	12V, 60W, 5A, 5-pin M12 Connector (EU)
AKT-USB2M12	M12 Connector to 2-port USB2.0 Cable, 2m
AKT-USB31M12	M12 Connector to USB3.0 Cable, 1.8m
AKT-COM2M12	M12 Connector to DB9 Cable, 2m
AKT-LAN2M12	M12 Connector to LAN Cable, 2m
AWD-WF006	Wi-Fi 802.11 a/b/g/n/ac/BT4.0 (2T2R) + 2 IP66 Antennas (Dual Band), Half Size
AWD-WF007	Wi-Fi 802.11 b/g/n/BT4.0 (1T1R) + 1 IP66 Antenna (Dual Band), Half Size
ACS-Z190-SWM	Stainless Steel 316 Wall Mount Kits, Thickness 3 mm
ACS-Z190-SYK	Stainless Steel 316 Yoke Mount Kits, Thickness 3 mm

# PPC-Z197

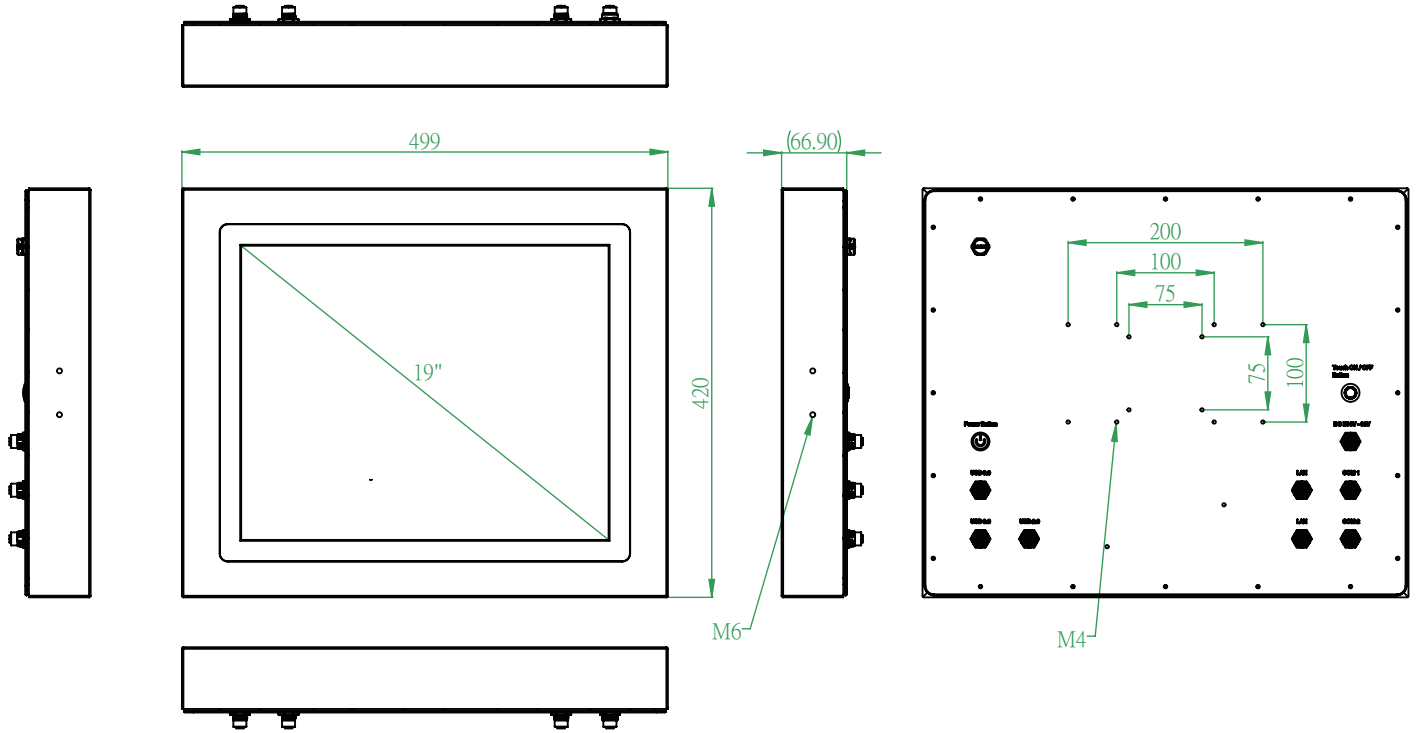
## → Specifications

	Model	PPC-Z197P-B61A2	PPC-Z197P-B62A2	PPC-Z197R-B61A2	PPC-Z197R-B62A2
Processor System	CPU	Intel® Core® i5-7200U	Intel® Core® i3-7100U	Intel® Core® i5-7200U	Intel® Core® i3-7100U
	Frequency	Dual-core up to 3.1 GHz	Dual-core up to 2.4 GHz	Dual-core up to 3.1 GHz	Dual-core up to 2.4 GHz
	System Chipset	N/A			
	Cache	3 MB			
	BIOS	UEFI			
Memory	Technology	Dual Channel DDR4L 2133 MHz			
	Max. Capacity	32 GB			
	Type	2x 260-pin SO-DIMM			
Panel	Panel Size	19"			
	Panel Type	LCD Panel			
	Aspect Ratio	4:3			
	Resolution	SXGA, 1280 x 1024			
	Viewing Angle	170 (H) x 160 (V)			
	Brightness	350 cd/m2			
	Contrast Ratio	1000:1			
	Response Time	12 msec			
Touchscreen	Touchscreen Type	Projected Capacitive Touch		5-wire Resistive Touch	
	Surface Hardness	7 Mohs		3 Mohs	
	Durability	N/A		36 Millions Times	
	Transparency	90% (±3%)		80% (±3%)	
Display	HDMI	N/A			
	DP	N/A			
	VGA	N/A			
	DVI	N/A			
I/O Interface	USB	2x USB 3.0 (M12 Connector), 1x M12 for 2x USB2.0 (M12 Connector)			
	Serial Port	1x RS 232 (M12 Connector), 1x RS-232/422/485 (M12 Connector)			
	Ethernet	2x GbE (M12 Connector) (LAN1:Intel® i219V, LAN2:Intel® i211AT)			
	Audio	N/A			
	GPIO / DIO	N/A			
	Antenna Hole	N/A (Optional)			
	Others	N/A			
Storage	2.5" HDD / SSD	N/A (Optional)			
	M.2	1x M.2 2280 M Key (PCIe x4, SATA III)			
	mSATA	N/A			
	RAID	RAID 0/1			
Expansion	Mini PCIe	1x Full Size (PCIe x1, USB2.0)			
	M.2	1x M.2 2230 E Key			
	PCI / PCIe	N/A			
	SIM Holder	1			
Power	Power Mode	AT / ATX			
	Power Supply Voltage	9-36V DC Input			
	Power Connector Type	M12 Connector			
	Power Consumption (Typical)	1.9A @ 12V (22.8W)			
Mounting	Type	VESA (75 x 75, 100 x 100, 200 x 100 mm) / Yoke Mount / Wall Mount			
Environment	Operating Temperature	-20~60°C (-4~140° F) w/ Extended Operation Temp. RAM & Storage			
	Storage Temperature	-40~85°C (-40~185° F)			
	Humidity	5~95% @ 40° C, Non-condensing			
	Vibration	IEC 60068-2-64: 1.5Grms, random, 5~500 Hz, 1hr/axis			
	Shock	IEC 60068-2-27: 15G, half-sine, 11ms duration			
General	Certification	CE / FCC Class A			
	Thermal Dissipation	Fanless			
	Ingress Protection	Full IP66/69K			
	Material	Stainless Steel 316			
	Dimensions (W x H x D)	499 X 420 X 66.9mm (16.65" X 16.54" X 2.63")			
	Net Weight	10 kg (22.04 lb)			
Operating System	Windows 10 (IoT 64 bit/Professional), Linux Kernal 4.0.x or above				

# PPC-Z197

## → Dimensions

### PPC-Z197P



### PPC-Z197R

